

# PM HOPPER DRAWER MAGNET

## FEATURES

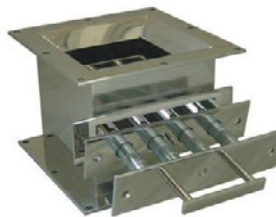
- High power Drawer magnets with standard 75mm to 300mm inlet and outlet in Round or Square profile for easy retrofit to Hoppers.
- Choice of single or double layered magnetic drawers.
- Magnetic drawer made from powerful Rare Earth magnets for ambient temperature operations.
- Drawers are either of standard or Easy cleaning type.
- High temperature magnets available optionally.
- Food grade Stainless Steel construction.

## APPLICATIONS

- Attracts tramp iron pieces from inflow of materials in hopper.
- Used particularly in plastic, chemicals, grains, cosmetics processing for powder separation.
- Concentrated magnetic field in the magnetic rod provides high grade attraction.



Round Flange Easy cleaning type



Square Flange Easy cleaning type

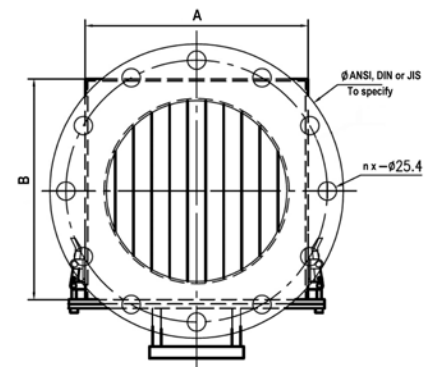
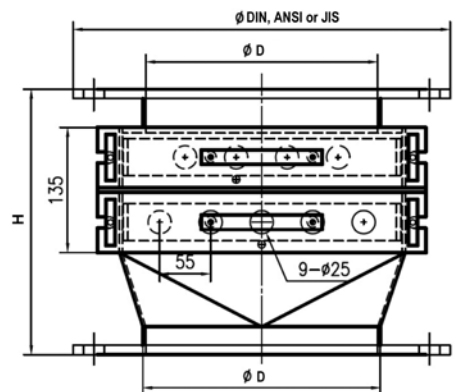


Square Flange standard type

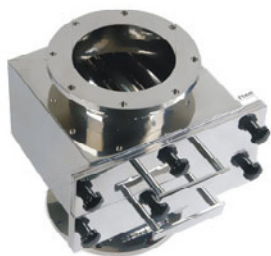
Product Code : HDM

All dimensions are in mm

Model No.		H	A	B
HDMd-NR-150	150	286	208	208
HDMd-NR-200	200	286	258	258
HDMd-NR-250	250	286	308	308
HDMd-NR-300	300	286	358	358
HDMs-NR-150	150	216	208	208
HDMs-NR-200	200	216	258	258
HDMs-NR-250	250	216	308	308
HDMs-NR-300		216	358	358
HDMd-NS-2020	300	270	208	208
HDMd-NS-2525		270	258	258
HDMd-NS-3030		270	308	308
HDMd-NS-3535		270	358	358
HDMd-NS-4040		270	408	408
HDMs-NS-2020		200	208	208
HDMs-NS-2525		200	258	258
HDMs-NS-3030		200	308	308
HDMs-NS-3535		200	358	358
HDMs-NS-4040		200	408	408



s =single row, d=double row, R=Round flange, S= Square flange, N=Neodymium



Easy cleaning type



Standard type



When dismantled for cleaning

Lifton Magnets' Hopper Drawers are by default constructed for sanitary grade (SS304) or food grade (SS316, upon asking).

Downgraded construction for non-sanitary application upon request

Product specification varies with specific application needs. Discuss your requirement with us for the most suitable product.

