

# NEOGRIND ROUND

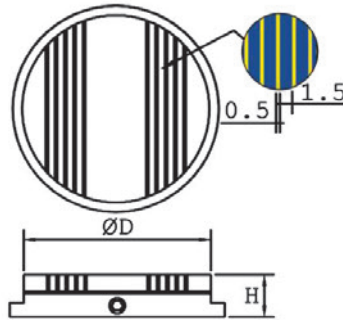
PM

MICROFINE POLE ROUND MAGNETIC CHUCK



Product Code : NR All dimensions are in mm

Model No.	DIA (OD)	Pole Pitch	H
NR-10	100	2 (1.5+0.5)	45
NR-13	130		
NR-16	160		
NR-20	200		
NR-25	250		
NR-30	300		
NR-35	350		48
NR-40	400		
NR-45	450		
NR-50	500		



Due to continuous upgradation in design there could be changes in specification. Other sizes on request. Before ordering, contact Lifton Magnets or your nearest dealer to confirm the suitability of this model for your application.

## FEATURES

- Steel and brass laminated top plate.
- Fully extended poles- minimum loss of working area.
- Standard Allen Key for easy use.
- Extremely low profile for wheel area.
- Made with super powerful NdFeB new generation magnets.
- Extension plate is suitable for clamping directly by 3 jaw chuck.
- Unique design of the chuck minimizes the deflection of top plate when switched ON/OFF, resulting in better job accuracy.

## APPLICATIONS

- Ideal for cylindrical or rotatory grinding.
- Enables the grinding of thin objects and small objects that has hitherto been difficult.

- Attached to rotary grinders for operation.
- Back plate with tapped hole can be made on request.

GRINDING

# FERROGRIND ROUND

PM

FINE ROUND POLE MAGNETIC CHUCK

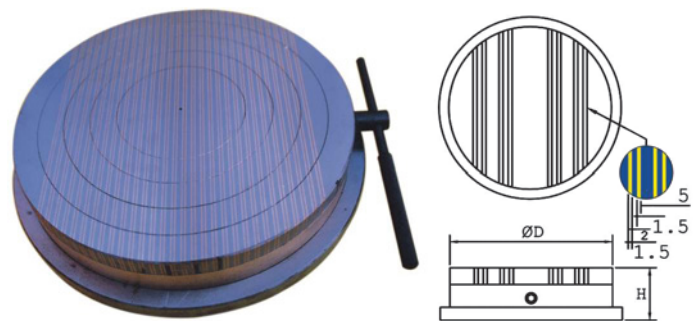
## FEATURES

- Steel and brass laminated top plate.
- Poles individually magnetized.
- Double magnet system for maximum power.
- Magnetic force will not weaken with long use.
- Low magnetic field- no magnetization of tools.
- Simple and smooth actuating mechanism.
- Rugged construction: exceptional longevity.

Product Code : FR All dimensions are in mm

Model No.	DIA (OD)	Pole Pitch	H
FR-20	200	10 (5+1.5+2+1.5)	78
FR-25	250		80
FR-30	300		83
FR-35	350		
FR-40	400		
FR-45	450		

Due to continuous upgradation in design there could be changes in specification. Other sizes on request. Before ordering, contact Lifton Magnets or your nearest dealer to confirm the suitability of this model for your application.



## APPLICATIONS

- Adaptable to wide range of work pieces.
- Ideal for many tool room applications.
- Provides powerful holding power for thinner work pieces as well as for thicker work pieces.
- Powerful and suitable for grinding and turning operations.

- Back plate with tapped hole can be made on request.

